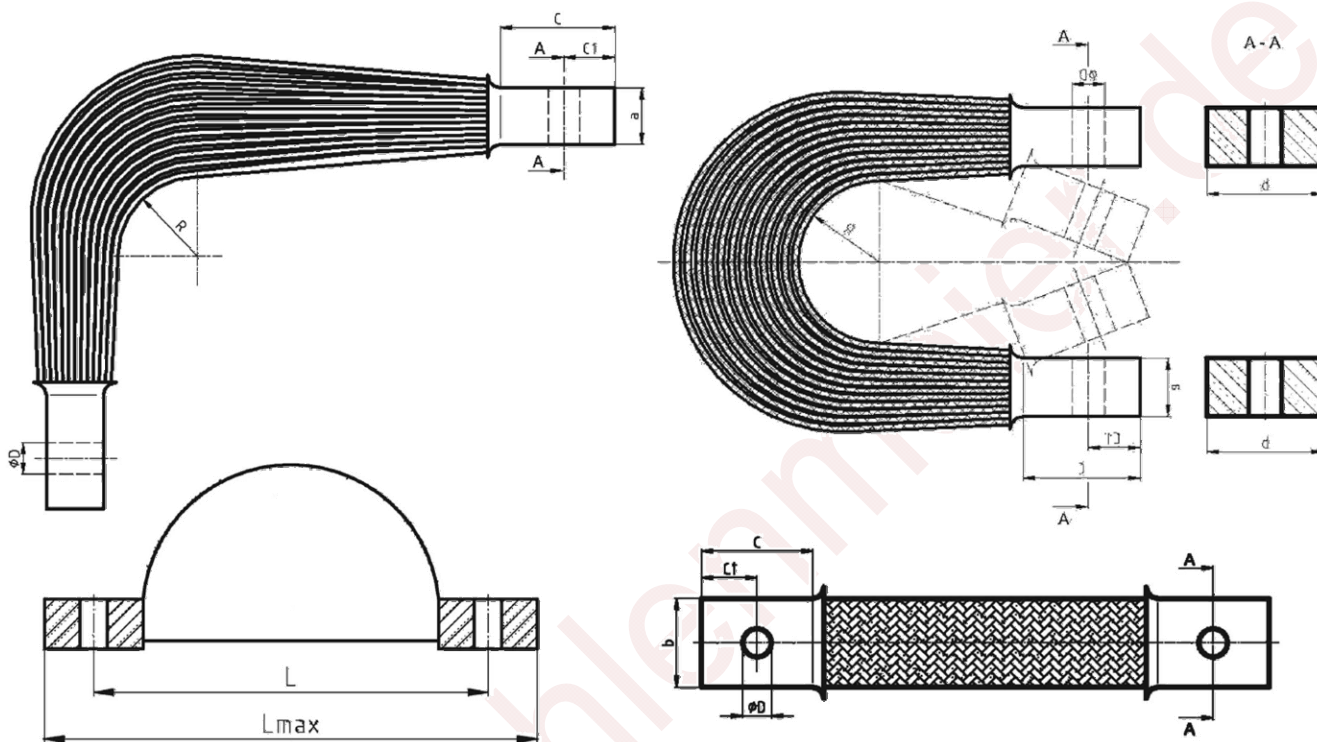


Highly flexible copper connectors

Solderless pressed copper connectors; Earthing tapes; highly flexible, air cooled.

Connectors are manufactured by braided copper tapes with a single wire diameter of 0,07 to 0,1mm. The contact areas are assembled with solderless pressed copper connectors bare and on request tinned or silvered coated. We manufacture the connectors in a width of 10-200mm. Possible cross-sections are 16-6000mm². These flexible connection enable to transfer high current.



Longest layer: _____ mm

Total cross section: _____ mm²

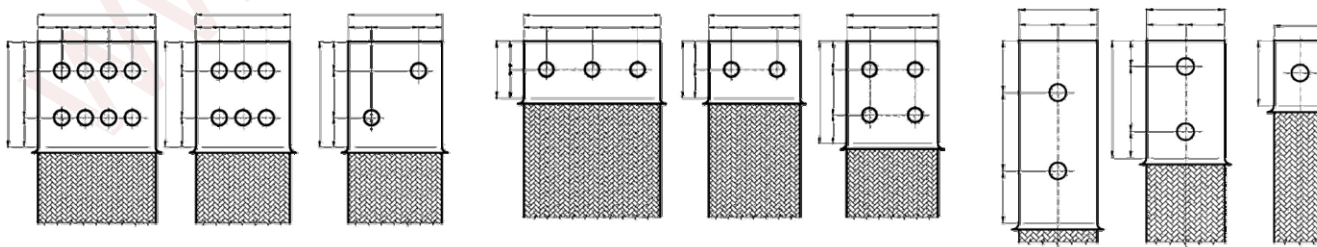
Shortest layer: _____ mm

Number of wire layers: _____

Single cross section: _____ mm²

how many units: _____

Example of connection variants:



Wire shunts are deliverable in all kinds of designs and dimensions.

For an order we need, in case a drawing or sample, the following dimensions are required when ordering a wire shunt.